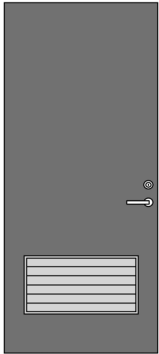




# Single Louver Door



SAMPLE ELEVATION

For additional elevations, see [Doors > Elevations](#)

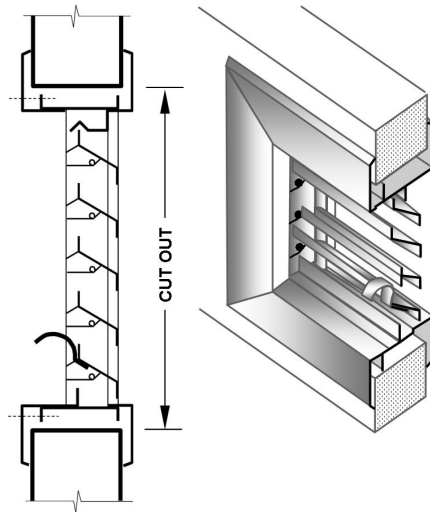
## Fire Rated Door Options

SIZE	FIRE RATING	MATERIAL	DOOR TYPE	CONSTRUCTION
51 X 120	3/4 Hour	18 Gauge	Steel Stiffened Core	Max. 24 X 24 Listed Louver 10" Min. Bottom Rail 6" Min. Stile & Rail (1, 1-1/2, 3 HR) 3-3/8" Min. Stile & Rail (3/4 HR) Glass Size per Glass Manufacturer
	1 Hour	16 Gauge	Honeycomb Core	Cladding
	1-1/2 Hour	14 Gauge	Temperature Rise Core	Astragal Required
	3 Hour	14 Gauge	Polystyrene Core	Open Seam
				Edge Welded

NOTE: Above door data varies depending on specific design criteria

## Fire Rated Louver

(Fusible Link)



For additional louver data, see [Doors > Louvers](#)

All Stiles Fire Rated assemblies are built-to-order to your exact specifications. For assistance with design, labeling requirements and multiple integrated features, contact factory.

# Stiles®

Steel Door + Window Systems

© 2010 Stiles Custom Metal, Inc. 0710

Stiles Custom Metal Inc  
1885 Kinser Road  
Ceres CA USA 95307

T 209 / 538-3667  
F 209 / 538-2776

[www.stilesdoor.com](http://www.stilesdoor.com)