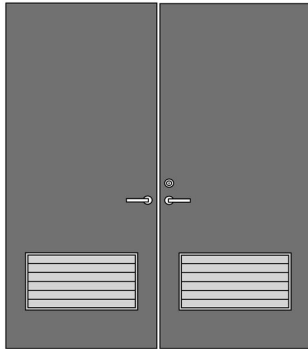




# Louver Door Pair



SAMPLE ELEVATION

For additional elevations, see [Doors > Elevations](#)

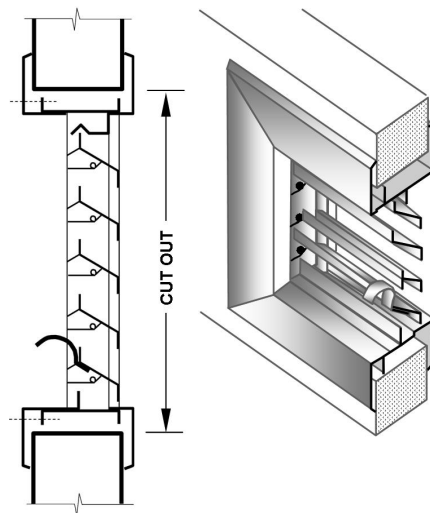
## Fire Rated Door Options

SIZE	FIRE RATING			MATERIAL			DOOR TYPE			CONSTRUCTION										
Max. Opening Size (in.)	3/4 Hour	1 Hour	1-1/2 Hour	3 Hour	18 Gauge	16 Gauge	14 Gauge	Steel Stiffened Core	Honeycomb Core	Temperature Rise Core	Polystyrene Core	Edge Welded	Open Seam	Astragal Required	Cladding	Glass Size per Glass Manufacturer	3-3/8" Min. Stile & Rail (3/4 HR)	6" Min. Stile & Rail (1, 1-1/2, 3 HR)	10" Min. Bottom Rail	Max. 24 X 24 Listed Louver
	■	■	■		■	■	■	■	■		■	■	■		■					
	■	■	■		■	■	■	■				■	■							
96 X 96	■	■	■		■	■	■	■	■		■	■	■		■					
102 X 120	■	■	■		■	■	■	■	■				■	■						

NOTE: Above door data varies depending on specific design criteria

## Fire Rated Louver

(Fusible Link)



For additional louver data, see [Doors > Louvers](#)

All Stiles Fire Rated assemblies are built-to-order to your exact specifications. For assistance with design, labeling requirements and multiple integrated features, contact factory.

# Stiles®

Steel Door + Window Systems

© 2010 Stiles Custom Metal, Inc. 0710

Stiles Custom Metal Inc  
1885 Kinser Road  
Ceres CA USA 95307

T 209 / 538-3667  
F 209 / 538-2776

[www.stilesdoor.com](http://www.stilesdoor.com)