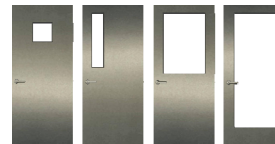
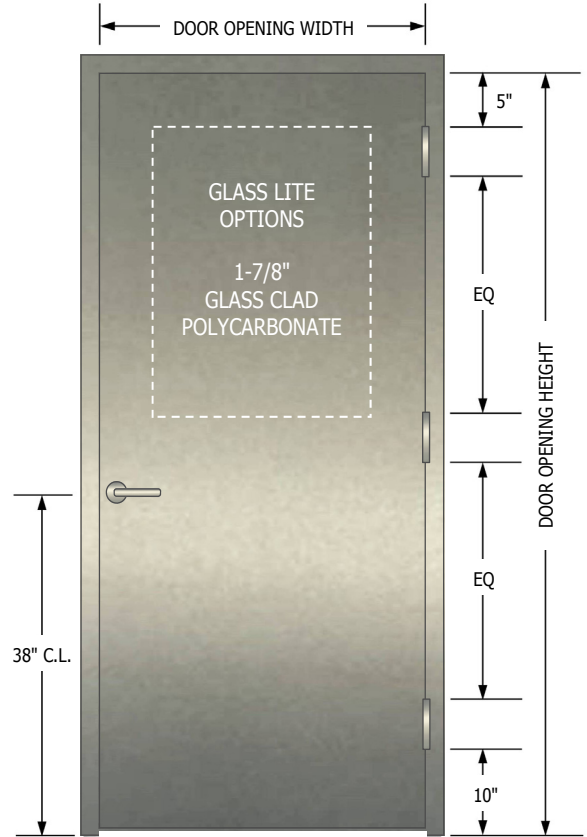


Level 7

Model BSSD-7 / Bullet & Recherché Resistant SS Door Assembly

Assembly	Ballistica™ built-to-order bullet resistant stainless steel door assemblies come complete with door, frame and lite kit (if applicable). For both interior or exterior locations. Oversized industrial assemblies available.
Material	1. 304 Stainless Steel 2. 316 Stainless Steel See Types of Stainless Steel
Door Edges	1-3/4" thick, beveled 1/8" in 2"
Core	Proprietary; lead, asbestos, fiberglass & formaldehyde free
Glazing	1. 1-7/8" Glass Clad Polycarbonate required See Glass 2. Glass & glazing not included, standard 3. Factory installed glazing option insures optimal performance
Hardware	Hardware including hinges, bullet-resistant threshold & latch-set can be provided and factory installed upon request.
Seals	1. Seal-Tek™ Perimeter Weather Seals, optional 2. Air-Tek™ Door Edge, optional
Frames	See Frame Profiles and Frame Elevations
Finishes	See Abraded Finishes
Fire Rating	Per UL10C / UBC7-2 Positive Pressure Up to 3 Hour Rating See Fire Rated
Sound	See Sound Control

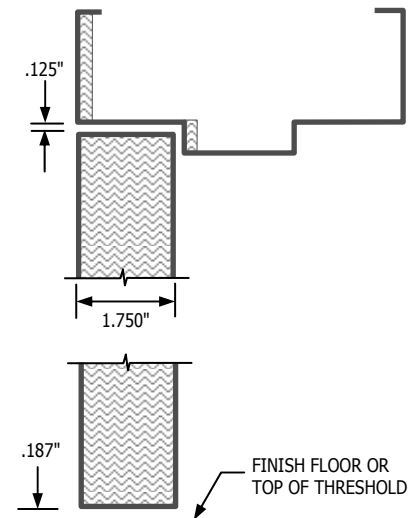
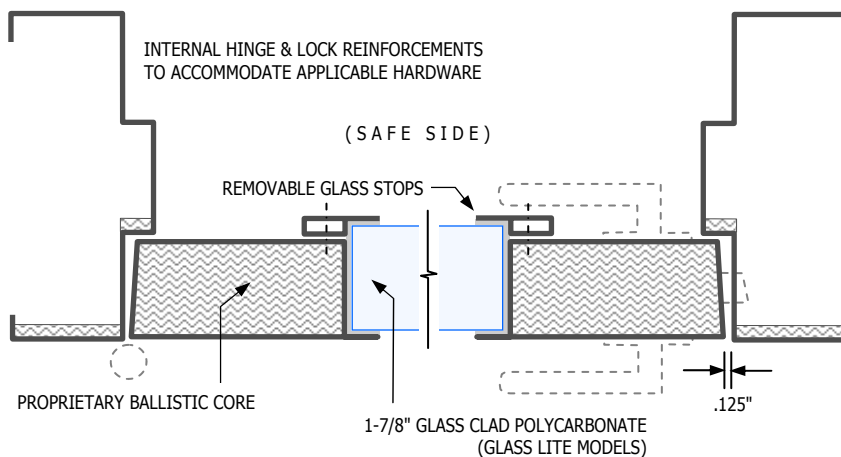


GLASS LITES
See [Door Elevations](#)
See [Lite Kit Options](#)

UL752 Level 7 Test Criteria

Independently tested in accordance with UL 752 (10-5-05) requirements

Weapon	Ammunition	Shots	Velocity (ft/sec)	Shot Spacing	Witness Plate	Test Temperature
Colt M16, 5.56 X 45 NATO	.223 cal, 5.56 NATO, 55 gr. FMJ	5	3,080 to 3,388	5 shots, 4.5" square	.125 cardboard @ 18"	72F



Think Green.

Recycled materials and long life cycle make Ballistica™ a truly sustainable choice.